



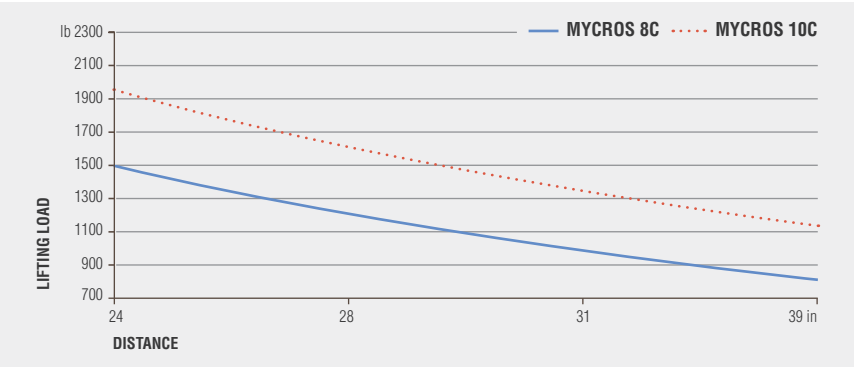
MYCROS 8C-10C RWD / FWD / AWD

- Traction: rear, front or all wheel
- Voltage 36V
- AC traction and pump motors
- Electronic Lift Control
- Cushion tires
- Power Steering
- Integrated side-shift
- Lift height from 114" to 224"
- Curve Speed Control (CSC)
- Right Angle Stack 104.5"

MAST DETAILS MYCROS 8C-10C

HEIGHT		STANDARD INCL. SIDE-SHIFT				DUPLEX INCL. SIDE-SHIFT				TRIPLEX INCL. SIDE-SHIFT		
Lift height	h_{23}	114	126	150	165	114	126	150	165	171	189	224
Closed mast height	h_1	76.4	82.4	94.2	102	76.4	82.4	94.2	102	76.4	82.4	94.2
Height mast extended *	h_4	153.9	165.9	189.5	205.3	153.9	165.9	189.5	205.3	210.7	228.7	264.2
Free lift	h_2	-	-	-	-	58.2	64.2	76	83.9	58.2	64.2	76
Overall width RWD	b_1	32.9		35.4		32.9		35.4		36.6		
Overall width FWD-AWD	b_1	34.3				34.3				37.8		

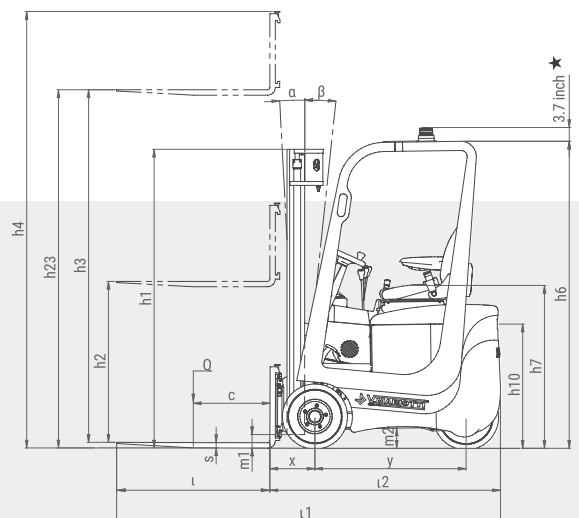
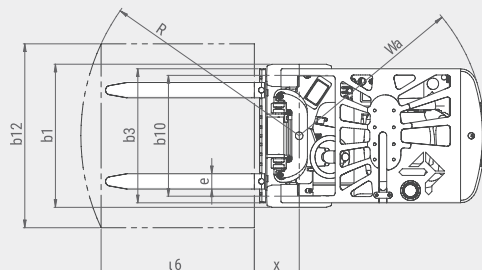
* With Backrest



Data showed are not binding and are liable to variations.
The constructor reserves the right of changes without notice.

★ On demand installation of the strobo light under the height of the overhead guard **h6**

Non-standard tyres, different masts, optional equipment, etc. may result in different values.



	1.1	Manufacturer			V.MARIOTTI S.r.l.			V.MARIOTTI S.r.l.			
	1.2	Model			MYCROS 8C RWD	MYCROS 8C FWD	MYCROS 8C AWD	MYCROS 10C RWD	MYCROS 10C FWD	MYCROS 10C AWD	
CHARACTERISTICS	1.3	Type of drive			electric	electric	electric	electric	electric	electric	
	1.4	Operator type			driver sitting	driver sitting	driver sitting	driver sitting	driver sitting	driver sitting	
	1.5	Load capacity/rated load	Q	lb	1500	1500	1500	1950	1950	1950	
	1.6	Load centre distance	c	in	24	24	24	24	24	24	
	1.8	Load distance	x	in	9.8 ●	9.8 ●	9.8 ●	9.8 ●	9.8 ●	9.8 ●	
	1.9	Wheel base min / max (adjustable)	y	in	34.5 / 38	34.5 / 38	34.5 / 38	34.5 / 38	34.5 / 38	34.5 / 38	
	WEIGHTS	2.1	Net weight incl. battery (see row 6.5)			4034 ■	4321 ■	4365 ■	4519 ■	4960 ■	5004 ■
		2.2	Axle load. with load. front / rear			4960 / 838	5225 / 860	5225 / 904	5820 / 904	6283 / 882	6239 / 970
		2.3	Axle load. without load. front / rear			1984 / 2050	2138 / 2183	2138 / 2227	2094 / 2425	2183 / 2778	2183 / 2822
WHEELS	3.1	Tires: Solid pneumatic (SE). Cushion (V)			V	V	V	V	V	V	
	3.2	Tire size front			13.5x4.5x8 □	13.5x4.5x8 □	13.5x4.5x8 □	13.5x4.5x8 □	13.5x4.5x8 □	13.5x4.5x8 □	
	3.3	Tire size rear			13.5x5.5x8	13.5x5.5x8	13.5x5.5x8	13.5x5.5x8	13.5x5.5x8	13.5x5.5x8	
	3.5	Wheels. number front/rear (◆ = driven wheels)			2 / 1 ◆	2 ◆ / 1	2 ◆ / 1 ◆	2 / 1 ◆	2 ◆ / 1	2 ◆ / 1 ◆	
	3.6	Track width. front	b ₁₀	in	28.4	29.8	29.8	28.4	29.8	29.8	
	DIMENSIONS	4.1	Tilt of mast/fork carriage forward/backward			α/β	<°	2° 30' / 6°	2° 30' / 6°	2° 30' / 6°	2° 30' / 6°
4.2		Closed mast height			h ₁	in	82.4	82.4	82.4	82.4	
4.3		Free lift			h ₂	in	\	\	\	\	
4.4		forks lifting			h ₃	in	124.8	124.8	124.8	124.8	124.8
		Lifting height			h ₂₃	in	126	126	126	126	126
4.5		Height mast extended			h ₄	in	145.8	145.8	145.8	145.8	
4.7		Height of overhead guard			h ₅	in	76.8	76.8	76.8	76.8	
4.8		Seat height			h ₇	in	37.4	37.4	37.4	37.4	
4.12		Coupling height			h ₁₀		28.5	28.5	28.5	28.5	
4.19		Overall length			l ₁		92.4	92.4	92.4	92.4	
4.20		Length including back of forks			l ₂	in	52.9 ●	52.9 ●	52.9 ●	52.9 ●	
4.21		Overall width			b ₁	in	32.9	34.3	34.3	32.9	
4.22		Fork dimensions			s/e/l	in	1.2x3.1x39	1.2x3.1x39	1.2x3.1x39	1.2x3.1x39	1.2x3.1x39
4.23		Forks carriage ISO 2328. Class/form A. B					ISO II/A	ISO II/A	ISO II/A	ISO II/A	
4.24		Forks carriage width			b ₃	in	32.7	32.7	32.7	32.7	
4.31		Floor clearance with load under mast			m ₁	in	2.6	2.6	2.6	2.6	
4.32		Floor clearance centre wheelbase			m ₂	in	3.7	3.7	3.7	3.7	
4.34		Right Angle Stack (for a 40" wide by 48" long pallet load)				in	104.5	104.5	104.5	104.5	
4.35		Turning radius			W ₃	in	43.2 ▲	43.2 ▲	43.2 ▲	43.2 ▲	
PERFORMANCE		5.1	Driving speed with/without load				mph	4.7 / 5	4.8 / 5	4.8 / 5	4.7 / 5
	5.2	Lift speed with/without load				fpm	59.1 / 74.8	59.1 / 74.8	59.1 / 74.8	57.1 / 74.8	
	5.3	Lowering speed with/without load				fpm	66.9 / 51.2	66.9 / 51.2	66.9 / 51.2	68.9 / 51.2	
	5.6	Max. drawbar pull. with/without load				lb	405 / 438	674 / 787	674 / 787	382 / 416	
	5.7	Gradeability. with/without load				%	13 / 18	18 / 20	18 / 20	10 / 18	
	5.8	Max Gradeability. with/without load				%	20 / 25	22 / 25	22 / 25	18 / 24	
5.10	Service brake					hydraulic	hydraulic	hydraulic	hydraulic		
6.1	Drive motor rating S2 60 min.				kW	3.5	3.5 x 2	3.5 x 3	3.5		
6.2	Lift motor rating at S3 20%				kW	6.5	6.5	6.5	6.5		
ELECTRIC SYSTEM	6.4	Battery voltage/nominal capacity K5				V/Ah	36/270 - 36/375	36/315 - 36/375	36/315 - 36/375	36/375	
	6.5	Battery weight				lb	794 ■ - 1014	904 ■ - 1014	904 ■ - 1014	1014 ■	
	8.1	Type of drive control				yes/no	AC MOSFET	AC MOSFET	AC MOSFET	AC MOSFET	
	8.2	Working pressure for attachments				psi	1813	1813	1813	2248	
OTHER	8.4	Sound pressure level at operator's ear					-	-	-	-	

- ▲ with mast in vertical position
- included side-shift
- with triplex mast: 14x5.5x8

Non-standard tires, different masts, optional equipment, etc. may result in different values.
Right Angle Stack and Equal Intersecting Aisle dimensions (provided with a 48" long and 40" wide pallet load) allowing zero clearance.

