

MPE060G

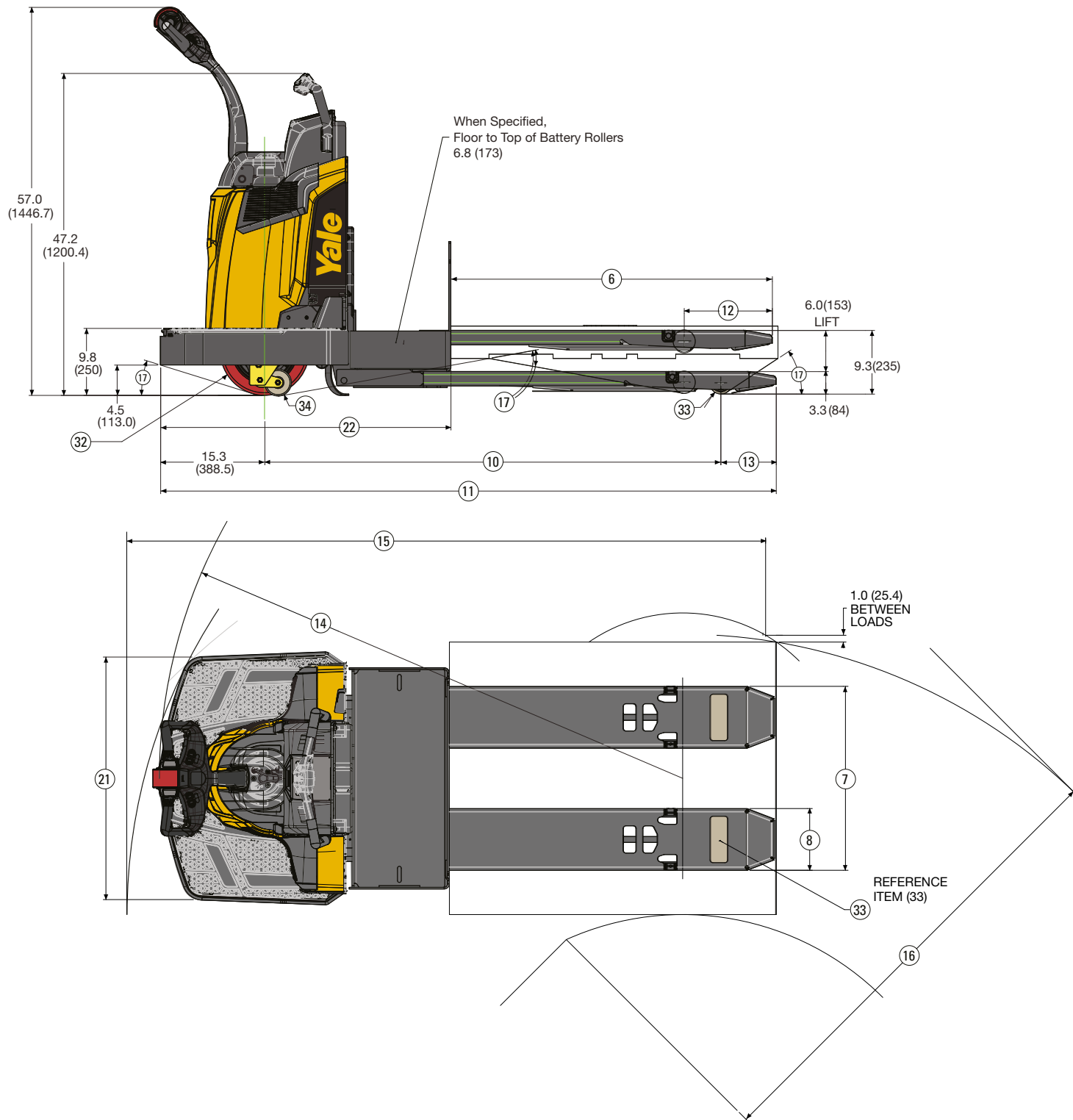
End Rider Forklift Truck

6,000 lbs.

- Designed for versatility to exceed expectations in medium-duty applications
- Innovative Smart technology helps maximize throughput and boost order picking
- Operator-focused ergonomics to optimize comfort and productivity
- Engineered for unparalleled durability, longer service intervals and simplified maintenance



Truck Dimensions



General Specifications MPE060G

GENERAL				Yale				
1	Manufacturer			Yale				
2	Model designation			MPE060G				
3	Power type			24 Volt				
4	Operator type			Stand ride				
5	Rated capacity			lb. (kg)		6000 (2722)		
6	Fork length	Nominal	in (mm)	36(914)	42(1067)	48(1219)	54(1372)	60(1524)
		Actual	in (mm)	35.7(908)	41.8(1213)	47.8(1213)	53.7(1365)	59.8(1518)
7	Fork overall width			27.1 (688)				
8	Fork width			9.1(232)				
9	Load distance (face of battery box to center of load wheels)	Raised	in (mm)	23.3(591)	29.3(744)	35.3(896)	41.3(1048)	47.3(1201)
		Lowered	in (mm)	27.6(702)	33.6(854)	39.6(1007)	45.6(1159)	51.7(1312)
10	Wheelbase	Raised	in (mm)	53.3(1353)	59.3(1505)	65.3(1658)	71.3(1810)	77.2(1962)
		Lowered	in (mm)	57.1(1450)	63.1(1602)	69.1(1755)	75.1(1907)	81.1(2060)
11	Overall length	Raised	in (mm)	79.1(2008)	85.0(2160)	91.1(2313)	97.0(2465)	103.1(2618)
		Lowered	in (mm)	78.5(1995)	84.5(2147)	90.6(2300)	96.5(2452)	102.5(2604)
12	Center of load wheel to fork tips	Raised	in (mm)	12.5(317)				
13		Lowered	in (mm)	8.1(206)				
14	outside turning radius	Raised	in (mm)	68.8(1747)	74.8(1899)	78.7(1999)	84.7(2152)	90.7(2304)
		Lowered	in (mm)	72.6(1844)	78.6(1996)	82.5(2096)	88.5(2249)	94.5(2401)
15	Right angle stack	Raised	in (mm)	81.6(2073)	N/A	94.1(2391)	N/A	N/A
16	Equal intersecting aisle	Raised	in (mm)	63.0(1599)	N/A	69.2(1758)	N/A	N/A
17	Grade clearance	Chassis	%	28				
		Center of wheelbase	%	38	34	31	30	27
		Forks	%	37				
18	Overall lift height	Top of forks	in (mm)	9.3(235)				
19	Lowered height	Top of forks	in (mm)	3.3(84)				
20	Total lift		in (mm)	5.9(151)				
21	Truck overall width		in (mm)	37.2(944)				
22	Chassis length	Raised	in (mm)	43.3(1100)				
		Lowered	in (mm)	42.8(1087)				
23	Battery compartment (standard /w battery rollers)		in (mm)	32.0 x 13.4 x open(813 x 340 x open)				
24	Max travel speed - chassis first	No load/ rated load	mph (kph)	9.0/6.0(14.5/9.7)				
25	Max travel speed - forks first	No load/ rated load	mph (kph)	6.0/6.0(9.7/9.7)				
26	Number of speeds			Infinitely variable				
27	Traction motor control method	Type		AC Transistor				
28	Service brake	Type		Electro-mechanical				
29	Truck weight (approx w/o battery)	No load	lb. (kg)	1382(627)	1433(650)	1481(672)	1523(691)	1567(711)
		Rated load		7382(3349)	7433(3372)	7481(3394)	7523(3413)	7567(3433)
30	Axle loading - drive	(static, max bat., no load)	lb. (kg)	1735(787)	1828(829)	1907(865)	2002(908)	2094(950)
31	Axle loading - load	(static, max bat., no load)	lb. (kg)	802(364)	754(342)	719(326)	670(304)	622(282)
32	Drive tire - size/type	(# of wheels)	in.	10.0 x 4.0 x 8.0 / polyurethane (1)				
33	Load wheel - size/type	(# of wheels)	in.	3.25" x 6.5" / polyurethane (2) (4)				
34	Caster wheel - size/type	(# of bearings) (# of wheels) (caster type)	in.	4.0' x 2.5" / polyurethane (2) urethane block loaded				
35	type			Lead acid				
36	Ampere hours - max		ah	930				
37	Ampere hours - min		ah	375				
38	Weight - max		lb. (kg)	1500 (680)				
39	Weight - min		lb. (kg)	540 (245)				


MPE060G

Standard equipment	Standard equipment (cont'd)	Options (cont'd)
<ul style="list-style-type: none"> • 48" long forks – standard tip • 27" fork spread • 37.2" operator platform • White rubber platform markers • Standard construction operating temperatures: +32°F to 120°F • Drive tire – 90 durometer, 10" x 4.0" smooth polyurethane • Load wheels – single, 3.25" x 6.5" polyurethane • Casters – spring loaded, 4" x 2.5" polyurethane wheel • Multifunction full-color touch display <ul style="list-style-type: none"> – Battery state of charge – Hour meter – Low battery lift interrupt – Performance mode indicator – Fault indicator • Manual steering • Key ignition switch • 24 volt AC transistor control electrical system 	<ul style="list-style-type: none"> • Boxed fork construction with reinforced fork tips • Flush pallet stop • Heavy duty, long life lift linkage with lubrication fittings <ul style="list-style-type: none"> – "X" groove style greaseable pivot bushings – 1" hardened, bolt retained flag pins • On-board software <ul style="list-style-type: none"> – Program, test and diagnose – No handset required – Password protected • Operating manual • 12 months / unlimited hour manufacturer's warranty • 36 months / 6,000 hour powertrain warranty • Lifetime main frame warranty 	<ul style="list-style-type: none"> • Smart coast control with pick assist • Manual coast control with pick assist • Stability casters <ul style="list-style-type: none"> – Heavy duty – greaseable wheel – Heavy duty – sealed wheel • LED platform lights • Fork lengths <ul style="list-style-type: none"> – 36" – standard tip – 42" – standard tip – 54" – standard tip – 60" – standard tip • Drive tire <ul style="list-style-type: none"> – Rubber – 65 durometer, 10" x 4.0" – Red polyurethane – 85 durometer, 10" x 4.0" – Vulkollan polyurethane – 90 durometer, 10" x 4.0" • Load wheels <ul style="list-style-type: none"> – Single and dual – 2 bearing and 4 bearing – Standard bearing and sealed bearing
	<h3 data-bbox="613 940 727 972">Options</h3> <ul style="list-style-type: none"> • UL Classification "EE" • Electronic power assist steering • Battery rollers • Ergonomically designed, impact resistant, combination butterfly rotary control handle • Ergonomic rear hand rail with Smart Shift Functions: <ul style="list-style-type: none"> – Smart Lift – Smart Lower – Dual Acceleration – Smart Cruise – Smart Slow Down • Convenience tray (load backrest mounted or battery mounted) • RF terminal power supply – 24-volt • Audible alarm • Visible alarm – pole mounted amber strobe 	<ul style="list-style-type: none"> • Load backrest <ul style="list-style-type: none"> – 48" high (pivoting or bolt-on) – 60" high (pivoting or bolt-on) – 72" high (bolt-on) • Application/Environmental Construction <ul style="list-style-type: none"> – Cooler/Freezer Package - Operating temps: 0°F to +120°F – SUBZERO Freezer Package - Operating temps: -40°F to +120°F – Wash Down Package - Operating temps: 0°F to +120°F – Extreme Corrosion Wash Down Package - Operating temps: 0°F to +120°F



YALE MATERIALS HANDLING CORPORATION • P.O. Box 7367, Greenville, NC 27835-7367

www.yale.com Manufactured in our own ISO 9001 and 14001 Registered Facilities

Yale is a Registered Trademark and  is a Registered Copyright. ©Yale Materials Handling Corporation 2018. All Rights Reserved.

Truck performance may be affected by the condition of the vehicle, how it is equipped and the application. Consult your Yale® Industrial Truck Dealer if any of the information shown is critical to your application. Specifications are subject to change without notice. CERTIFICATION: Yale lift trucks meet the design and construction requirements of B56.1-1969, per OSHA Section 1910.178(a)(2), and also comply with the B56.1 revision in effect at time of manufacture. Certification of compliance with the applicable ANSI standards appears on the lift truck. The Yale® products included in this document may be covered by US patent 6,684,148 and other patents pending.