



MPE Series

6,000 / 8,000 lbs.

Electric End Riders

Boost order picking, escalate throughput.

You're constantly under pressure to decrease order picking times and increase throughput. But with SKU counts exploding, additional racking required and more ground to cover – how are you supposed to keep up?





Did you know?

Order picking accounts for 50-65% of the typical warehouse's total operating costs. There's no question; you need to be as efficient as possible to keep costs down.

What if your operators could pick **faster** and move product more **efficiently** thereby decreasing operating costs?

Precision engineered with advanced technology and features, the Yale® MPE060-080VH and MPE060G end riders are what you need to move the throughput needle.

- Shave seconds off of tasks with the **Smart Shift** software bundle
- **Precision Pick** helps navigate and build orders faster with a simple push of a button
- Get 30% more usable floor space to help improve operator comfort with the optional **Extended Platform**
- Increase awareness and help reduce product damage in low-light or congested areas with **LED platform and fork illumination lights**
- Minimize maintenance costs with **easy access and extended, application-matched service intervals**



MPE060G

MPE060VH

MPE080VH

Outsmart your competition.

In this day and age, you need the latest technology to keep your operation up and running. When your trucks don't have the capability to keep up, or experience downtime for unexpected repairs, your operation is at serious risk.

Engineered with innovative technology and features, Yale end riders give you the high-throughput advantage you're looking for, without the endless downtime of obsolete models.



Smart features that change your throughput game

Smart Shift + ⚙

a software bundle that allows an operator to better use the truck. By combining Smart Lift/Lower, Yale Smart Slow Down™, Smart Acceleration and Smart Cruise Control, operators can help improve efficiency and increase productivity. Driven off of the shift button—just like on your keyboard—it's a shortcut to increased functionality to help you get more out of every shift.



Smart Lift/Lower

automatically raises/lowers forks with one touch. Shaves seconds off picks by enabling the operator to focus on the next task while the truck completes fully lifting/lowering.



Smart Acceleration

provides two distinct acceleration profiles based on application, load and task. Saves 1-4 seconds per movement by accessing the faster profile before loads are too high.



Yale Smart Slow Down™

reduces truck speed when cornering to enhance load stability and operator control, decreasing risk of product damage.



Smart Cruise Control

permits operator to set truck speed, allowing them to relax the throttle over long hauls, minimizing wrist/hand stress.

+ = Optional equipment ⚙ = Industry exclusive



Did you know?

98% of organizations say a single hour of downtime costs them over \$100,000. Help minimize your risk and improve the productivity of your operation by staying up to date with the latest lift truck technology.



Precision Pick + ☆

allows an operator to precisely place the truck where you want it, controlling the speed and coast functions, in both directions, with the simple press of a button.



Extended shift feature

balances battery and shift life, allowing truck to run longer between battery changes.



Multifunction full-color touch display

provides familiar interface to other Yale® trucks, enabling easier operation and service; ties together functionality, software, diagnostic codes and similar interfaces; and is Yale Vision compatible.



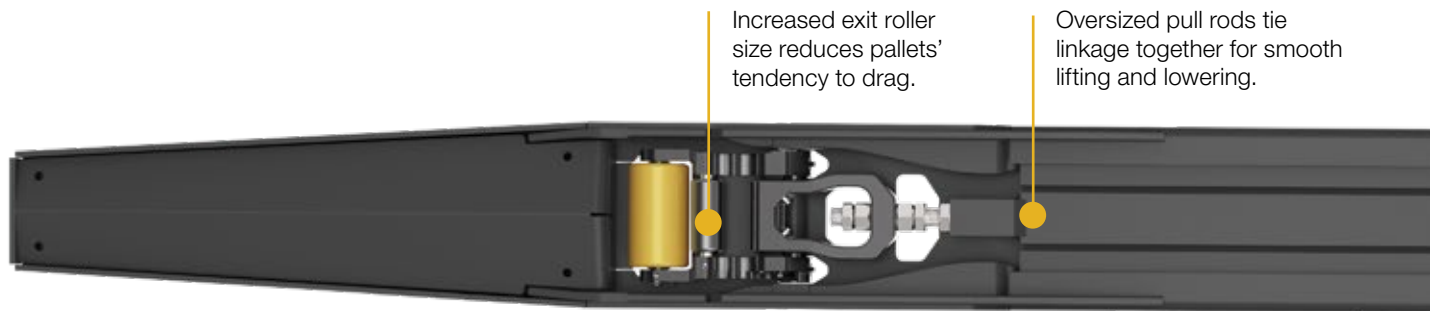
Yale Vision +

provides wireless fleet management to help drive fleet efficiency, improve operator performance, reduce unexpected repairs and lower overall costs.

Stand up to your toughest challenges.

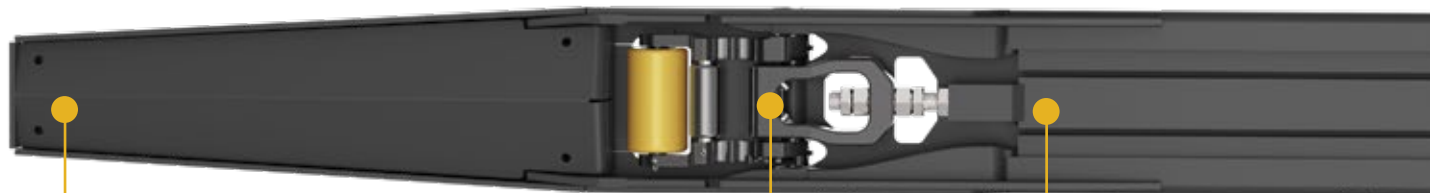
At Yale, knowing your business is our business. We know that to stay productive, your operation needs equipment that can handle rigorous demands. Yale® trucks work hard to exceed those demands. Running across uneven surfaces, pounding into pallets, repeatedly starting and stopping—it's all in a day's work.

That's why we've strengthened every inch of our end riders. From enhancing frame stability, to reinforcing our forks with 25% more steel, to engineering the undercarriage that protects the most critical components, we've designed our end riders to be the durable solution to your application's toughest challenges.



Increased exit roller size reduces pallets' tendency to drag.

Oversized pull rods tie linkage together for smooth lifting and lowering.



Fork tips are specifically designed for smooth pallet entry. Increasing fork-pallet interlocking pressure by 500% allows for successful pallet exit on the first try.

Lubrication and "x" groove bushings at all pivot points.



standard fork tip with entry skid bar*



standard fork tip with entry rollers*



A 50% increase in steel on the standard forks and a 75% increase on double pallet forks provide the strength to lift even the heaviest loads, and our single-piece casting puts less stress on the risers.

* Shown with optional extended fork tip



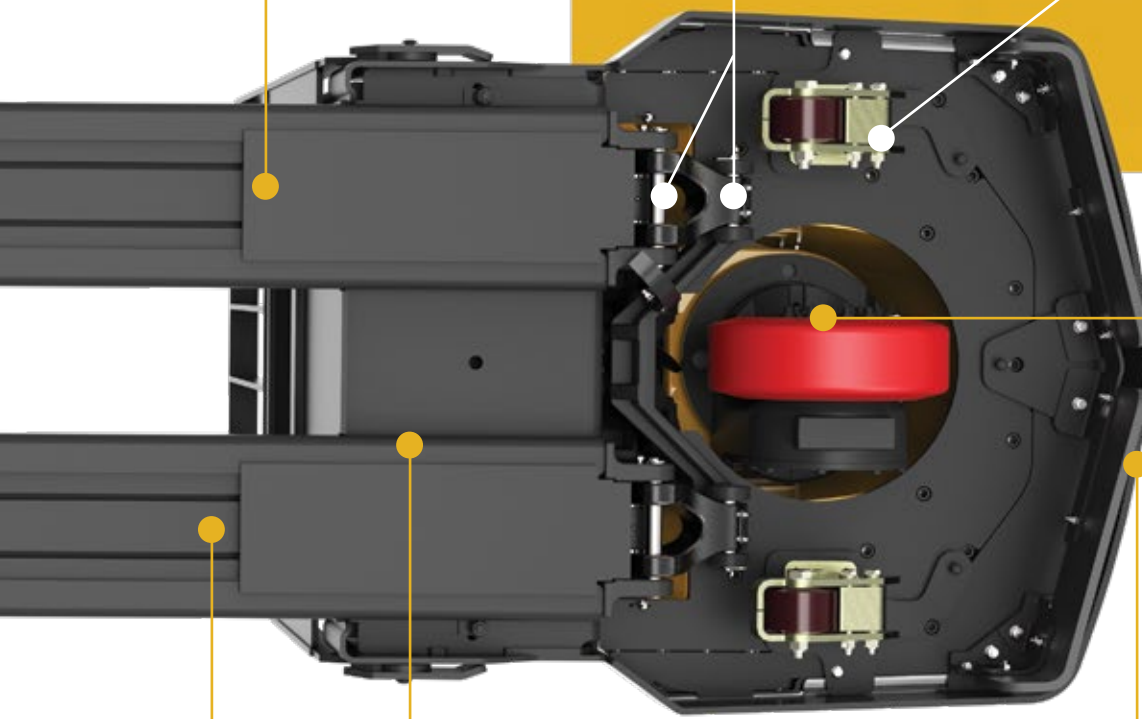
Save up to \$150,000 in lifetime maintenance.*

With reduced service times and extended service intervals, **this truck can be serviced faster and as much as 50% less often**, meaning more time moving product.

Frame and forks connect for reduced twist and increased torsional stiffness.

Durable, lift linkage manufactured with cast ductile steel is designed to meet the demands of high-duty cycle applications.

Springless, quick adjust, heavy duty casters enhance load handling stability, reduce maintenance time, and resist damage from dockplates.

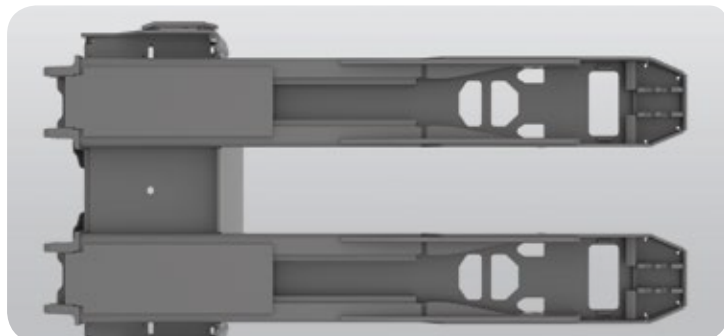


Easy to access automotive style, lug-mounted drive tire helps reduce downtime.

Reinforced undercarriage is protected against impacts.

Forks' connection with the battery box reduces strain on the undercarriage and linkage.

Enhanced frame has more metal in all the right places for greater strength and steadier load handling.



*Up to \$150,000 lifetime savings is based on fleet of 50 leading competitor end riders operating 2,000 hours/year, while adhering to OEM recommended maintenance intervals and average \$50/hour maintenance labor costs.

Defeat the status quo.

Over the course of a shift, your operators' productivity may decrease as much as 30%. If you're going to remain competitive, you can't afford this.

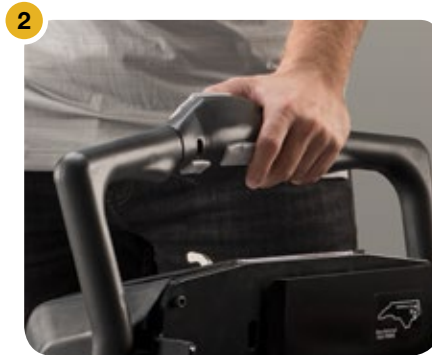
Meticulously designed around the operator, Yale end riders include features to improve comfort and reduce fatigue. So what does this mean for you? The business benefit of higher productivity and efficiency all shift long.

Experience the distinct ergonomic advantage



Integrated knee pads

made of durable, contoured rubber deliver industry-leading support to enhance operator comfort; unique waffle pattern provides flexibility and maximizes airflow.



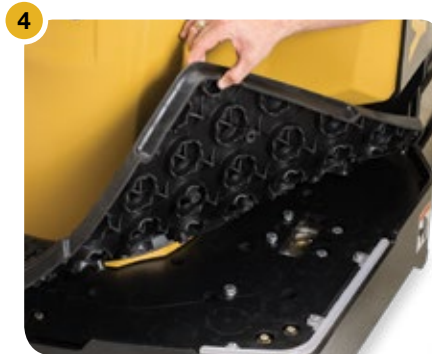
Hand rail with auxiliary controls

allow operators to access full functionality of the truck in a single hand position, minimizing hand/finger movement and fatigue.



Operator platform

offers more usable foot space than leading competitors to help promote all-day operator comfort; drain holes align with the platform cushion, pulling moisture down and out of the truck.



Platform cushion

incorporates an exclusive design that helps absorb shock and vibration to improve operator comfort and provide steady footing; closed cell construction enhances durability; drain holes improve tractive effort in wet applications; easily removes for cleaning.



Did you know?

More than 1/3 of all lost workdays are associated with muscular or skeletal problems and **account for more than \$20 billion in workers' compensation** costs annually. Proper ergonomic equipment can help you mitigate these issues and maximize the productivity of lift truck operators.



Change the game.

Do you want your operators at the top of their game, your service technicians content and your boss thinking you're brilliant? Make it happen with Yale end riders – they are ergonomic, sleek and high-tech machines that deliver the quality and convenience you need to thrive.



Extended operator platform + ☆

provides 30% more usable foot space than leading competitors to optimize foot placement and promote all-day operator comfort in suitable applications; drain holes align with the platform cushion, pulling moisture down and out of the truck.



Ultra cushion + ☆

incorporates exclusive, military-grade construction to enhance durability and help reduce shock and vibration by 30% when compared to conventional rubber mats; helps improve operator comfort and provide steady footing while accommodating up to a size 13 shoe (available on MPE060-080VH models only).



Full rotary control handle

with integrated twist/grip design minimizes wrist stress and allows for precise lift/lower, travel control and horn functions from both sides.



+ = Optional equipment ☆ = Industry exclusive

4



LED platform lights +

help increase visibility and awareness in low lit or congested areas; encased for added protection and durability.

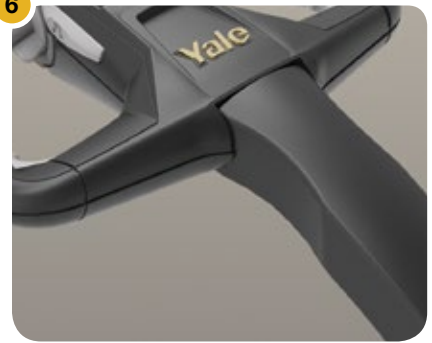
5



LED fork lights +

help increase visibility and awareness in low lit areas and dark trailers; help reduce product, facility and trailer damage.

6



Scalloped steer tiller +

incorporates a shallow indentation for ideal leg placement and optimized operator comfort.



Exclusive quality and convenience

- **Heavy duty frame** – One of the toughest in the industry
- **Linkage system** – Provides nearly three times the lift cycles compared to competitive models (available on MPE060-080VH models)
- **Quick adjust casters** – Top mounted for simple access; fully serviceable and adjustable (available on MPE060-080VH models)
- **Electric parking brake** – Requires no adjustments or maintenance
- **Extended service intervals** – Allow this truck to be serviced as much as 50% less often, meaning less time out of service and more time moving product.

For more information, or to find your nearest Yale® dealer, go to Yale.com.



YALE MATERIALS HANDLING CORPORATION

P.O. Box 7367, Greenville, NC 27835-7367

www.yale.com

YALE,  and PEOPLE. PRODUCTS. PRODUCTIVITY. are trademarks, service marks or registered marks in the United States and certain other jurisdictions. © Yale Materials Handling Corporation 2019. All Rights Reserved.

Truck performance may be affected by the condition of the vehicle, how it is equipped and the application. Consult your Yale® Industrial Truck Dealer if any of the information shown is critical to your application. Specifications are subject to change without notice. CERTIFICATION: Yale lift trucks meet the design and construction requirements of B56.1-1969, per OSHA Section 1910.178(a)(2), and also comply with the B56.1 revision in effect at time of manufacture. Classified by Underwriters' Laboratories, Inc., as to fire and electric shock hazard only for Type E industrial trucks.

Manufactured in our own ISO 9001 and 14001 Registered Facilities

2480 1/2019 Trucks may be shown with optional equipment.