

600 CRAWLER SERIES

TELESCOPIC BOOM LIFTS



Performance

Platform Height		
600SC	60 ft 3 in.	18.36 m
660SJC	66 ft 8 in.	20.32 m
Horizontal Outreach		
600SC	49 ft 6 in.	15.09 m
660SJC	56 ft 9 in.	17.30 m
Swing	360° Continuous	
Platform Capacity		
Restricted (600SC Only)	1,000 lb	454 kg
Unrestricted	500 lb	227 kg
Platform Rotator		
600SC	160° Hydraulic	
660SJC	180° Hydraulic	
Jib Range of Articulation		
660SJC Only	132°	+71, -61
Weight ¹		
600SC	22,500 lb	10,206 kg
660SJC	27,100 lb	12,293 kg
Max. Ground Bearing Pressure		
600SC	5.45 psi	0.383 kg/cm ²
660SJC	6.5 psi	0.457 kg/cm ²
Drive Speed	1.6 mph	2.6 kmph
Gradeability	55%	
Turning Radius	Zero	
Type of Tracks	Steel	
Tracks Width	20 in.	51 cm

1. Certain options or country standards will increase weight.

Standard Specifications

Engine

Diesel Engine, Deutz D2011L04 w/EGR	64 hp	47 kW
Diesel Engine, Caterpillar 3044C	63.3 hp	47.2 kW
Fuel Tank Capacity	40 gal	151 L
Auxiliary Power	12V DC	

Hydraulic Reservoir

Capacity	32 gal	121 L
----------	--------	-------

Standard Features

- 36 x 96 in. (0.91 x 2.44 m) Platform
- Deutz D2011L04 64 hp Engine
- Customized Crawler Chassis
- 19 x 138 in. (0.48 x 3.5 m)
- Steel Link Tracks
- Inward Swing Gate
- 180 Degree Hydraulic Platform Rotator¹
- Platform Console Machine Status
- Light Panel²
- 110V-AC Receptacle in the Platform
- 5 Degree Tilt Alarm/Indicator Light
- Swing-Out Engine Module
- Gull-wing Engine Hood
- 12V-DC Auxiliary Power
- Proportional Controls
- Lifting/Tie Down Lugs
- Hourmeter
- Bolt-On Lifting Lugs
- Horn
- All Motion Alarm



Accessories & Options

- 36 x 72 in. (0.91 x 1.83 m) Platform
- Platform Work Lights
- Bolt-on Aluminum Mesh to Top Rail
- Light Package
- Flashing Amber Beacon
- Cold Weather Start Kit³
- Hostile Environment Kit⁴
- Arctic Package⁵
- SkyPower[®] Package

1. 160 degrees on 600SC
2. Provides indicator lights at platform control console for system distress, low fuel, 5 degree tilt light and foot switch status.
3. Includes engine block heater (CAT), battery heater and oil tank heater.
4. Includes console cover, boom wipers and cylinder bellows.
5. Includes arctic hydraulic hoses (drive and steer only) and main boom cable, arctic hydraulic oil, extreme cold engine oil, anti-freeze (CAT only), fuel conditioner, engine block heater, battery blanket, glow plugs, hydraulic tank heater, and oversized footswitch.

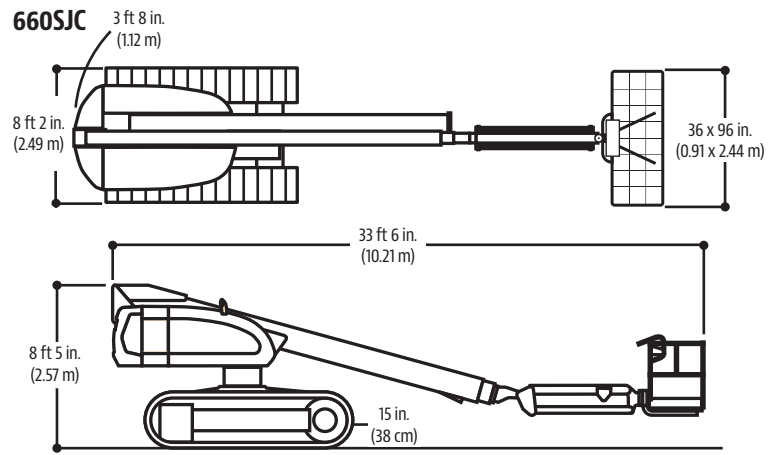
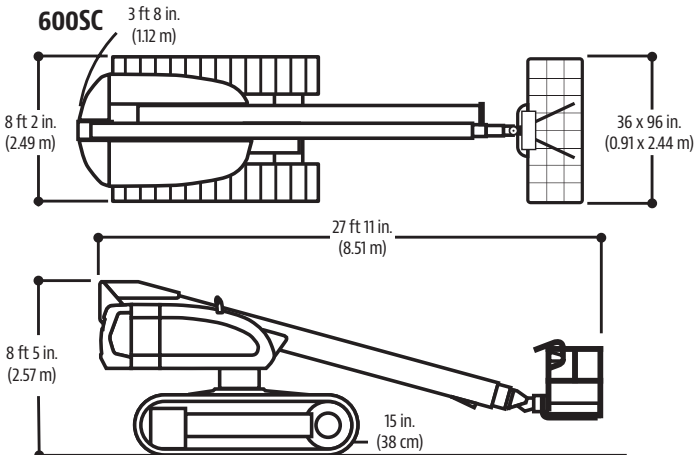
600 CRAWLER SERIES

TELESCOPIC BOOM LIFTS

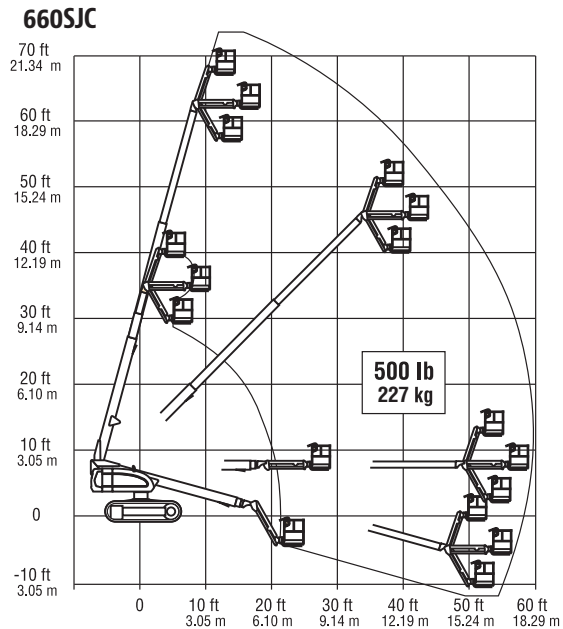
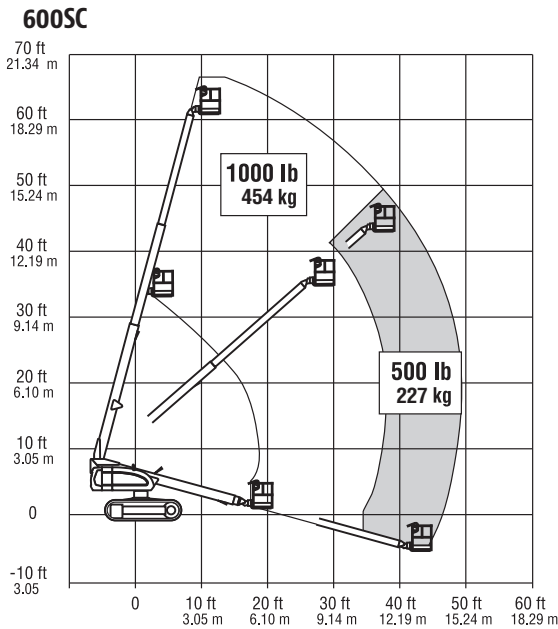


Dimensions

All dimensions are approximate.



Reach Diagrams



* Your local JLG dealer in OK | TX | NM
MEDLEYCOMPANY.COM | 866.734.6687



The JLG "1 & 5" Warranty

JLG Industries, Inc. backs its products with its exclusive "1 & 5" Warranty. We provide coverage on all products for one (1) full year, and cover all specified major structural components for five (5) years. Due to continuous product improvements, we reserve the right to make specification and/or equipment changes without prior notification. This machine meets or exceeds applicable OSHA Regulations in 29 CFR 1910.67, 29 CFR 1926.453, ANSI A92.5-2006, and CSA Standard CAN3-B354.2-M82, as originally manufactured for intended applications.

Part No.: 3131016
 R031501
 Printed in USA